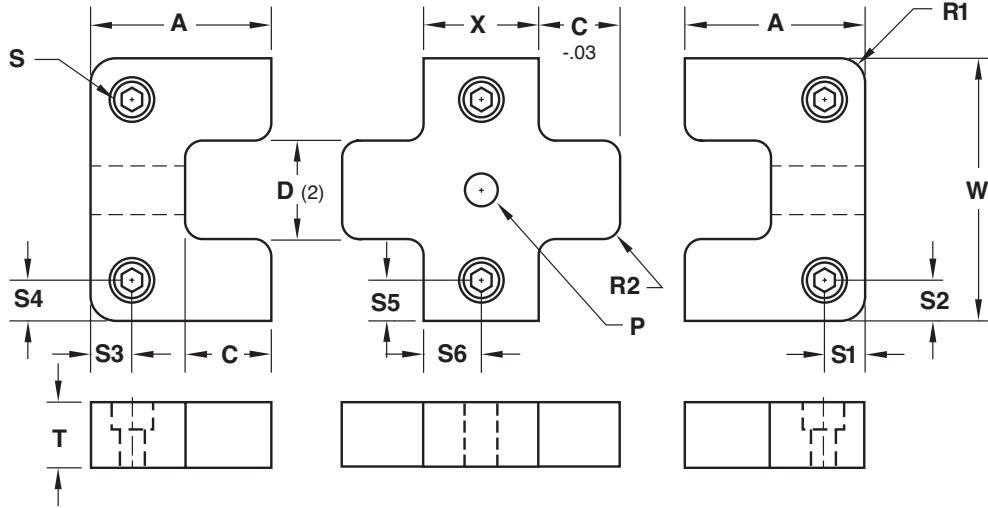




STANDARD TOLERANCES		
A	+0.00 -0.02	+0.00 -0.05
X	+0.00 -0.02	+0.00 -0.05
C	±.01	±.2
T	+0.00 -0.02	+0.00 -0.05
W	+0.000 -0.004	+0.00 -0.01
S1-6	±.01	±.2
P	+0.001 -0.000	+0.25 -0.00
	INCH	METRIC



Male Insert

H-13

Core = 40-44 RC
Surface = 65 Rc
Treatment = Melonited (SBN)

Other:

Material _____
Core Hardness _____
Surface Hardness _____
Treatment _____

Female Insert

A-2

Core = 58-60 Rc
Surface = 80 Rc
Treatment = Titanium Nitride Coated

Other:

Material _____
Core Hardness _____
Surface Hardness _____
Treatment _____

X-SERIES LOCK			W	Tolerance	Standard	+	-	S3	Standard	+	-
Dimension											
A	<input type="checkbox"/> Standard	+ -	R1	<input type="checkbox"/> To Suit	Pocket Radius (Lock machined to suit)	S4	<input type="checkbox"/> Standard	+ -			
X	<input type="checkbox"/> Standard	+ -	R2	<input type="checkbox"/> To Suit	(.9 min.)	S5	<input type="checkbox"/> Standard	+ -			
C	<input type="checkbox"/> Standard	+ -	S		SHCS SIZE	S6	<input type="checkbox"/> Standard	+ -			
D		.0001 - .0002 Clearance per side	S1	<input type="checkbox"/> Standard		P	<input type="checkbox"/> Standard	+ -			
T	<input type="checkbox"/> Standard	+ -	S2	<input type="checkbox"/> Standard		Quantity:					

FAX TO 800-462-6653 OR E-MAIL TECH@PROCOMPS.COM

CONTACT:	COMPANY NAME:	PHONE #:	FAX #:
REFERENCE #:	ACCOUNT #:	E-MAIL ADDRESS:	