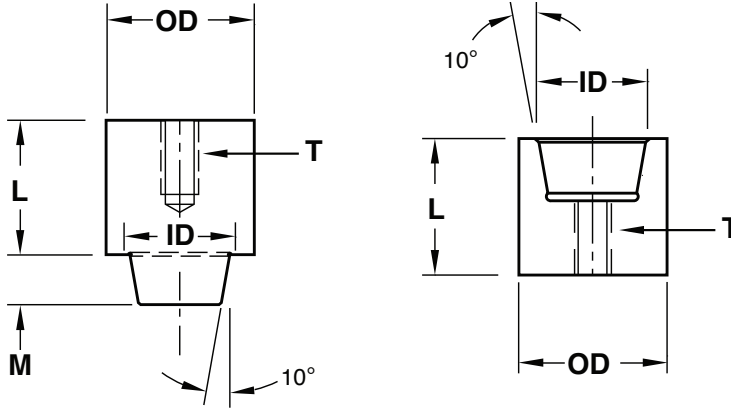




STANDARD TOLERANCES		
O.D.	+0.000 -0.003	+0.000 -0.007
L	+0.004 +0.008	+0.1 +0.2
M	±0.1	±0.25
	INCH	METRIC



Material

AISI 52100

Hardness= 57-61 Rc

Other:

Material _____

Core Hardness _____

Surface Hardness _____

Treatment _____

TAPER LOCKS #1

Dimension	Tolerance
O.D.	<input type="checkbox"/> Standard +
	-
L	<input type="checkbox"/> Standard +
	-
M	<input type="checkbox"/> Standard +
	-
I.D.	+ -
	-
T	+ -
	-
Quantity:	
Sets of (1) male and (1) female	

TAPER LOCKS #2

Dimension	Tolerance
O.D.	<input type="checkbox"/> Standard +
	-
L	<input type="checkbox"/> Standard +
	-
M	<input type="checkbox"/> Standard +
	-
I.D.	+ -
	-
T	+ -
	-
Quantity:	
Sets of (1) male and (1) female	

FAX TO 800-462-6653 OR E-MAIL TECH@PROCOMPS.COM

CONTACT:	COMPANY NAME:	PHONE #:	FAX #:
REFERENCE #:	ACCOUNT #:	E-MAIL ADDRESS:	